

SpectorBOX

Mainframe for SpectorBOX

AOI inspects THT
PCB assemblies

Top side
THT Component Inspection

Bottom side
Selective Soldering
Wave Soldering

Top & Bottom side
Full assembly inspection

For Feed & Return Conveyers



because inspection matters

Integration Solution for SpectorBOX THT AOI

- | | |
|--------------------------------------------------|-----------------------------------------------------------------------------------------------------------------|
| √ Turnkey solution | <i>simple integration for SpectorBOX to your production line</i> |
| √ Efficient all-in-one station & Small Footprint | <i>save costs and space by combining Top & Bot inspection in one station</i> |
| √ Flexible clamping | <i>Customizable to the output of your wave or selective soldering system</i> |
| √ SMEMA compliant | <i>easily connects with your existing SMEMA compatible material handling</i> |
| √ Maintenance Friendly | <i>SpectoBOXes can be easy accessed and installed via front or rear side</i> |
| √ Simultaneous Top & Bottom inspection | <i>utilizing two SpectorBOX AOIs in tandem, simultaneous top & bottom inspection is realized</i> |
| √ Compatible with any Mek SpectorBOX model | <i>any SpectorBOX AOI , existing or new, can be used</i> |
| √ Ergonomic operation | <i>easily operate both top & bot SpectorBOX from a wrist height input terminals and eye-height monitors</i> |
| √ Three inspection operation possibilities | <i>conventional top down only, bottom up only, or top & bottom</i> |
| √ Integrated space for 2 AOI PC's | <i>Rack mounted AOI PC's with external access</i> |

because inspection matters



Ergonomic design with eye-height monitors and wrist height controls



Keyboards and mouse's for fast stow away and return without wiring hassle

Conveyer operation panel to select operation modes and monitor AOI



19" rack mount carries two Mac-PC's or easy access PC maintenance and exchange. External power switches

Large Keyboard & Mouse Flap, can carry up to 2 small wired keyboards/mouse's with 4 additional USB ports for flexible data exchange.



Conveyer entries can be designed upon customer specification with regard to size and safety features. The image shows version with width adjustment via a detachable manual crank



Adjustable width tooth belt conveyer transports assemblies up to 15kg. Equipped with optical stoppers



Heavy duty direct drive tooth belt motor

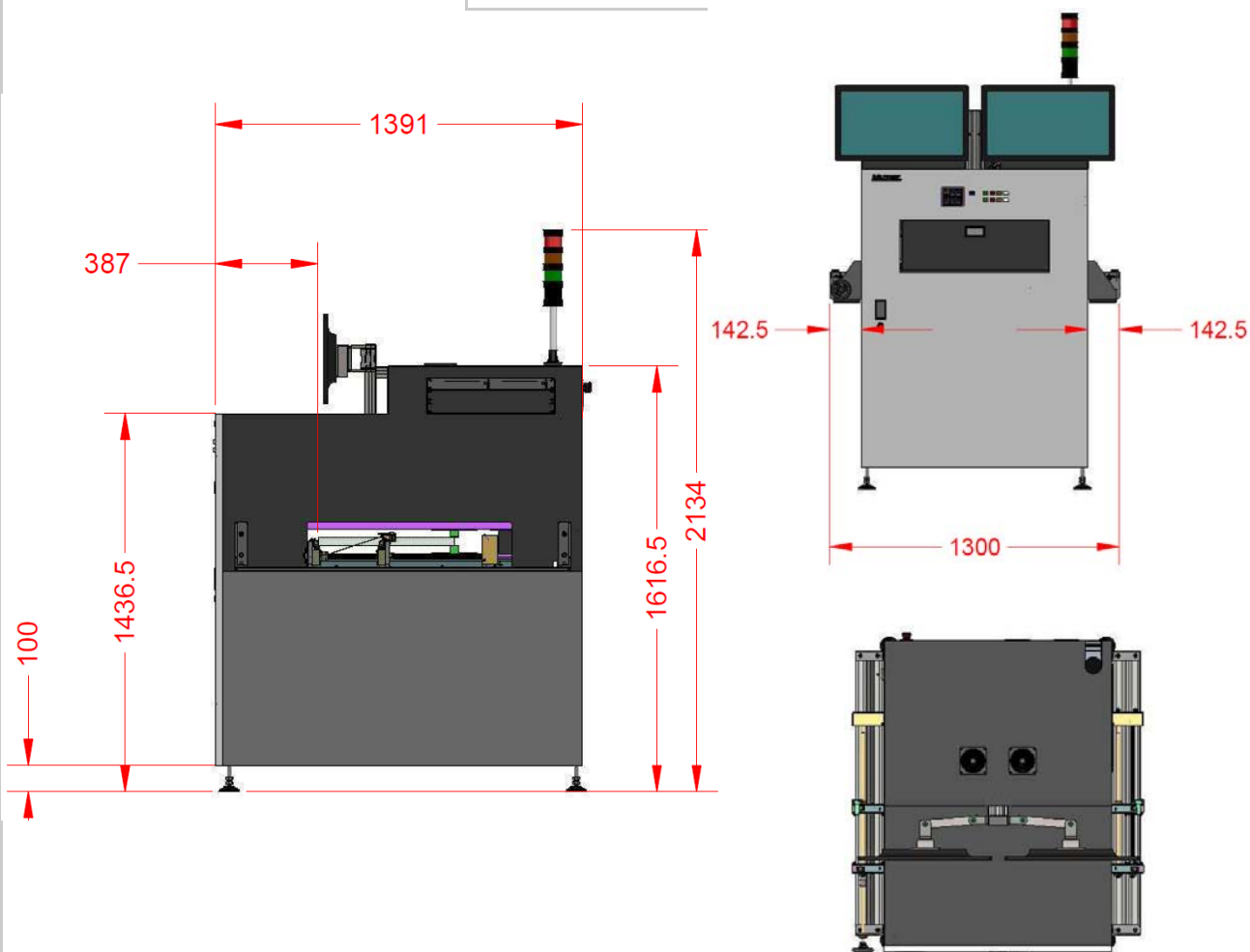


Nutek Mainframe holds 1 or 2 SpectroBOXes. The bottom unit can go as low as the factory floor by removing the bottom bars for inspection of solder joints from 280mm above the factory floor onwards.

Levelling brackets for easy adjustment of the SpectroBOX focus and conveyer height. The levelling brackets allow single-person easy levelling, even with pre-mounted SpectroBOXes. Built-in mm-rulers integrated in the mainframe poles, allow easy pre-adjustment in advance of final levelling. The Top rail can hold an additional SpectroBOX for Top Down inspection. Equipped with the same level brackets to allow easy levelling and pre-adjustment.



In-Line Series Specifications	Size
Maximum PCB size	(l x w) 550mm x 520mm (21.7" x 20.5")
Minimum PCB Size	(l x w) 50mm x 50mm (2"x2")
Maximum PCB Weight	15kg (30lbs)
<i>Specifications (optionally customizable)</i>	
Conveyor concept	Tooth Belt, Feed & Return conveyer configurable
Conveyer height	Configurable 280-980mm (11"-39")
Component clearance	Top/bottom 30-130mm (1.18"-5.12") Spectorbox model dependent
Belt speed	Adjustable
PCB edge support	3mm (0.12")
Conveyer width adjustment	Manual crank
Power supply	100-230VAC
Power consumption	Configuration dependent <1kW
<i>General</i>	
Weight	Mainframe chassis 400kg (200 lbs) excl SpectorBOX
Overall Dimensions	(L x W x H) 1391x1300x1617mm (54.8" x 51.2" x 63.7")



Marantz reserves the right to change the design and specifications without notice. © Marantz Electronics, Sept 2015

Represented/Distributed by:

Mek Americas LLC
 4425 E Sahara Ave., STE 41
 Las Vegas, NV 89104 USA
 T +1 702 818 1706
info@mek-europe.com
www.marantz-electronics.com

Marantz Electronics, Ltd.
 4th floor, Hi-Tech Center, YBP, Hodogaya-ku
 Yokohama-city, Kanagawa, 240-0005 Japan



Mek Europe BV
 Polluxstraat 2b
 5047 RB Tilburg, Netherlands
 T +31 40 7114111
info@mek-europe.com
www.marantz-electronics.com